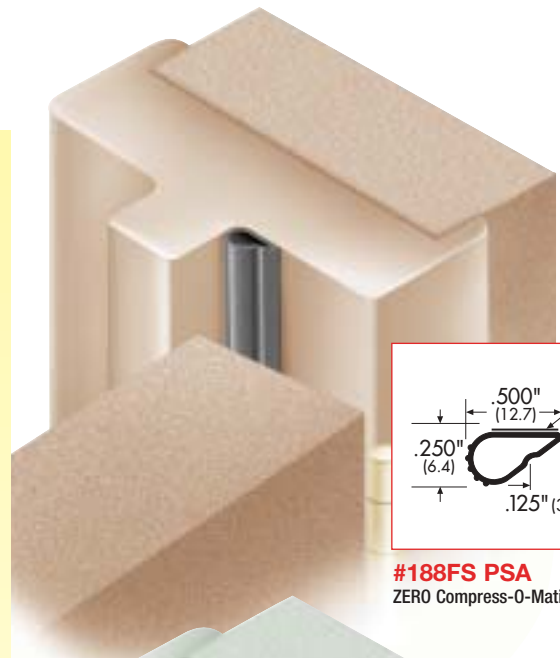


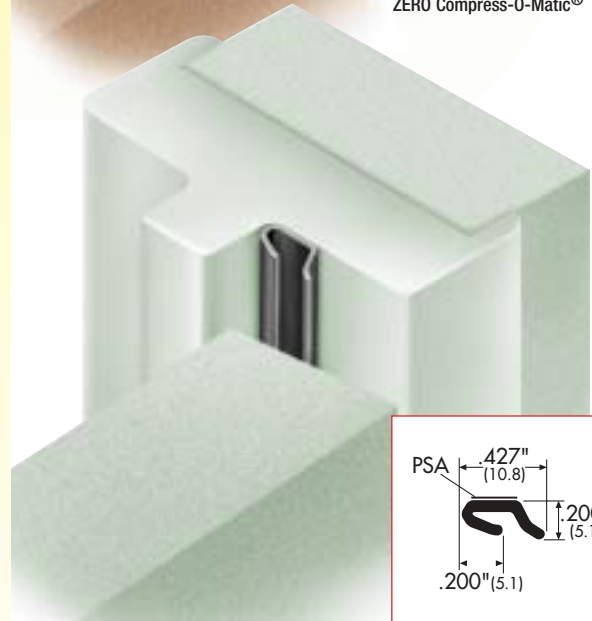
We offer a variety of extruded products for specialized applications, including intumescent solutions for international and U.S. positive pressure code requirements. We developed the INTUMET™ intumescent material used in all of our intumescent products, and **we manufacture all INTUMET products in the US.** The seals in our gasketing systems are made using proprietary **SOFT PUFF™** technology that delivers the performance best suited for certain applications, such as fire and smoke doors.

Soft Puff INTUMET is a rubber matrix material that begins intumescenting at the relatively low temperatures where organic materials begin to emit combustible and noxious gases. It expands gradually to fill all gaps with moderate force.

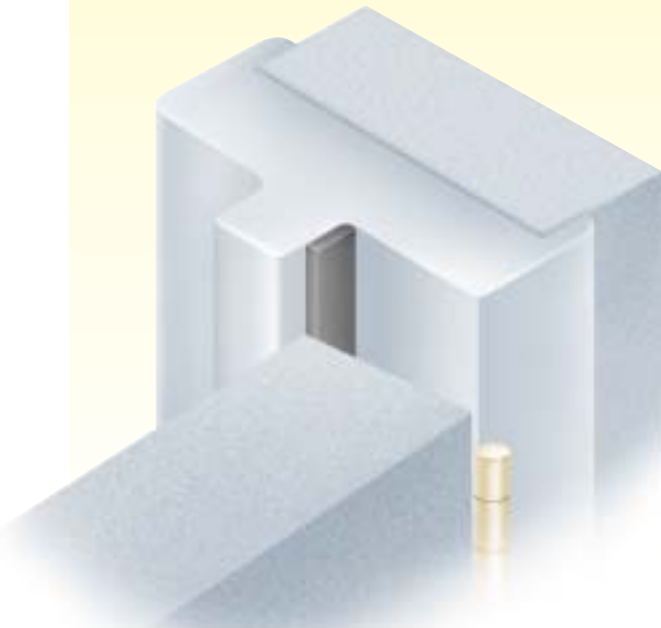
In addition to Soft Puff intumescence, we offer a full range of intumescent materials suitable for firestopping and other fire protection needs. And we continue to develop specialized INTUMET formulations to optimize performance for special requirements.



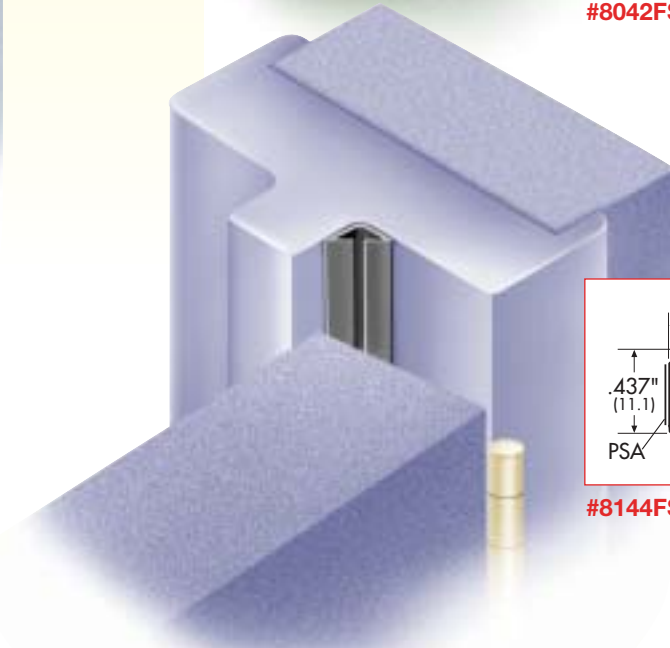
**#188FS PSA**  
ZERO Compress-O-Matic®



**#8042FS PSA**



**#3062500 FS PSA**  
.062 (1.57) x .500 (12.7)  
**#3062750 FS PSA**  
.062 (1.57) x .750 (19.1)  
**#3125500 FS PSA**  
.125 (3.17) x .500 (12.7)  
**#3125750 FS PSA**  
.125 (3.17) x .750 (19.1)



**#8144FS PSA**